



# catrax

*clip*

Catrax Clip was specifically designed for disabled people. It has an innovative design and was manufactured in a smaller size to enable quicker and easier passage. This model is ergonomic, practical and safe. In addition, the turnstile pedestal was designed to withstand the impact produced by wheel chairs.

## ■ ■ ■ ■ ERGONOMICS AND PRACTICALITY

The horizontal, bidirectional movement of the arm allows patrons to pass smoothly through the turnstile.

## ■ ■ ■ ■ DESIGN AND SAFETY

The Catrax Clip column has rounded corners and plenty of internal space. As access is gained by a key lock, there are no exposed screws.

## ■ ■ ■ ■ CUSTOMIZED PRODUCTS



The top panel of Catrax Clip is manufactured in high impact engineering plastic and is available in black, Bordeaux red and green (special colors can be optionally supplied). On top of that, the stainless steel cover can be customized with the customer's own brand identity.

## ■ ■ ■ ■ ACCESS PERMISSION



Catrax Clip can be configured with pictograms to inform access permission.

## ■ ■ ■ ■ MECHANICAL PRECISION

The double-bearing structure prolongs equipment life and guarantees excellent performance.

## ■ ■ ■ ■ EASILY MOUNTED AND MAINTAINED



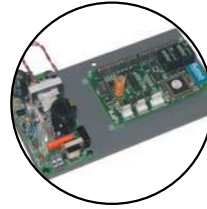
Catrax Clip comes with a U-shaped mounting drawer that can be easily removed or replaced on the front part of the column, by means of a key lock.



## TECHNICAL CHARACTERISTICS

- External finish in carbon steel with epoxy powder coating. Optionally, the cabinet can be made of brushed stainless steel (AISI 304). The top cover consists of a stainless steel plate, finished with strong plastic parts;
- Rounded corners to avoid injury or damage;
- "Paper clip" style arm in AISI 304 stainless steel, mounted on vertical shaft, giving 180-degree horizontal movement for passage in both directions (entry and exit). Available with optional extension below arm;
- Industrial bearing mount for smooth and sturdy movement of the arm;
- Bi-directional system, with the capacity to block or release the turnstile in four different ways: (1) allow entry and exit; (2) block entry and exit; (3) permit entry only; (4) permit exit only;
- Two optical sensors identify direction of passage and control locking mechanism;
- Locking mechanism activated by electromagnets instead of solenoids, giving greater reliability;
- No visible screws: access to internal components of the turnstile is by lock and key;
- Locking mechanism open in default position – in case of power failure the turnstile moves freely in both directions. The system can be used for anti-panic;
- Column-style model to fixed to the floor with four bolts;
- Optional microprocessor controller board with four inputs and two outputs;
- Optional full range power source (input from 90 to 250 VAC and output of 12v 2 A);
- Optional pictogram in front side helps visualize information using green LEDs, to indicate access allowed, and red LEDs, to indicate access denied;
- **Optional** electromagnetic card device and a card collection box, with card programming and recognition, for the process of granting access.

## EASY PROGRAMMING

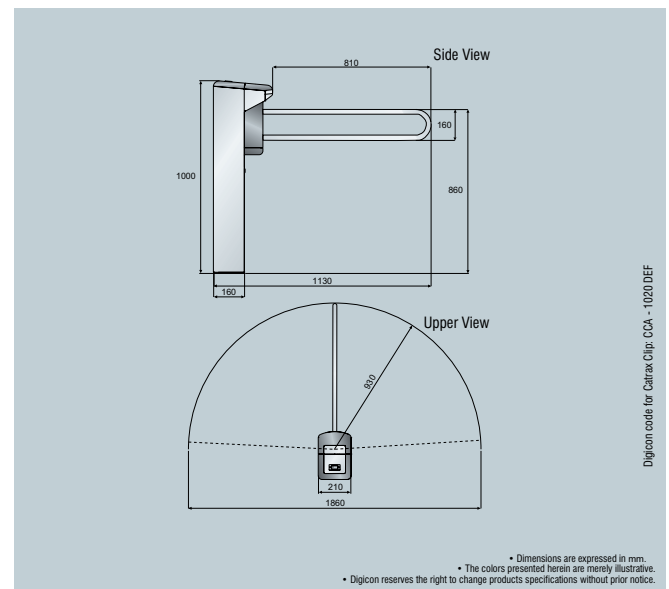


Optional microprocessor controller board allows for total integration with a variety of available solutions.

## PROTECTION

Optional power supply developed especially for Catrax product line, protects against electrical surges and short-circuits.

## DIMENSIONS



## PART NUMBER CONFIGURATION

AAA	BB	C	D	E	F	
AAA	BB	C	D	E	F	AAA – Catrax Clip – Materials
						216 – Stainless Steel Cabinet
						220 – Carbon Steel Cabinet
	BB	C	D	E	F	BB – Top Panel Plastic – Colors and models
						11 - Black standard
						12 - Green standard
						13 - Bordeaux red standard
						21 – Black with card swipe slot
						22 – Green with card swipe slot
						23 - Bordeaux red with card swipe slot
						C.D.E.F - Optionals
						4 – If included Microprocessor Controller Board
						5 – If included Power Supply
						6 – If included Pictograms of operation
						7 – If included Card Collector

## Electro Mechanical Systems Limited

Eros House, Calleva Park, Aldermaston, Reading RG7 8LN  
[www.ems-access.co.uk](http://www.ems-access.co.uk)  
[info@ems-ltd.com](mailto:info@ems-ltd.com)

Tel 0118 981 7391  
 Fax 0118 981 7613