



## Accessories MAGTRONIC

### Control panel MKI

#### Description

The control panels are made of an attractive housing of plastic and are designed for all MAGNETIC barriers equipped with the control systems MUB or MLC.

By means of two separate push-buttons the barrier boom can be set into horizontal or vertical position and an additional switch allows the control unit to be put into "Permanent Open" or "Automatic Operation".

Further functions such as:

- Dead man
- Pulse sequence OPEN/CLOSE through one button
- Pulse operation OPEN/CLOSE through two separate buttons
- Automatic operation

can be realized with this control panel for all barriers equipped with control units MUB or MLC.

Integrated LEDs indicate the position of the boom (open = green and close = red).

A shielded cable with 6 leads is required between the barrier and the control panel. Full functional safety between control unit and control panel is ensured up to a max. cable length of 300 m with a min. cross section of 0.5 mm<sup>2</sup>.

A flexible, 3 m long cable provided by the manufacturer is located on the control panel permitting an easy connection to the junction boxes provided by the customer.

If a barrier is controlled from several sites the control panels can be connected parallelly to the respective control unit. However, it has to be considered that the function "Permanent open" of each control panel has priority.

For reasons of saving space several barriers can be controlled together only by one control panel. Only one separate cable for each barrier control unit has to be taken out of the control panel (picture 1).

Following control panels are available:

- MKI 6P-175 for 1 barrier
- MKI 6P-275 for 2 barriers
- MKI 6P-375 for 3 barriers
- MKI 6P-475 for 4 barriers

Housing (L x W x H):  
190 x 138 x 55 mm  
Weight: 200 g. approx.  
Voltage: 24 V DC

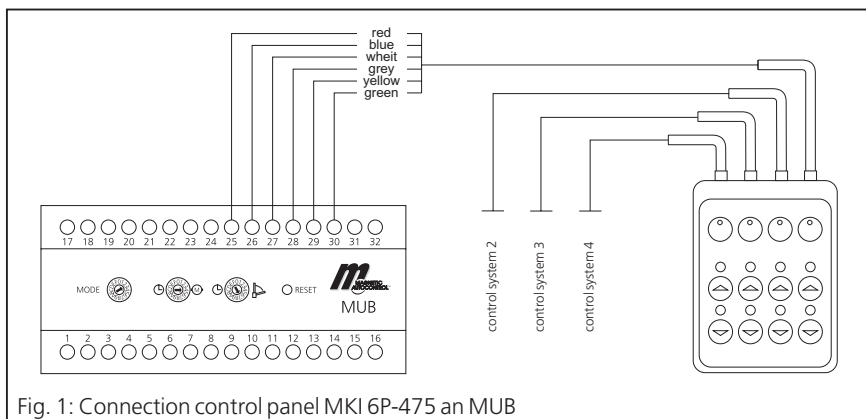


Fig. 1: Connection control panel MKI 6P-475 an MUB

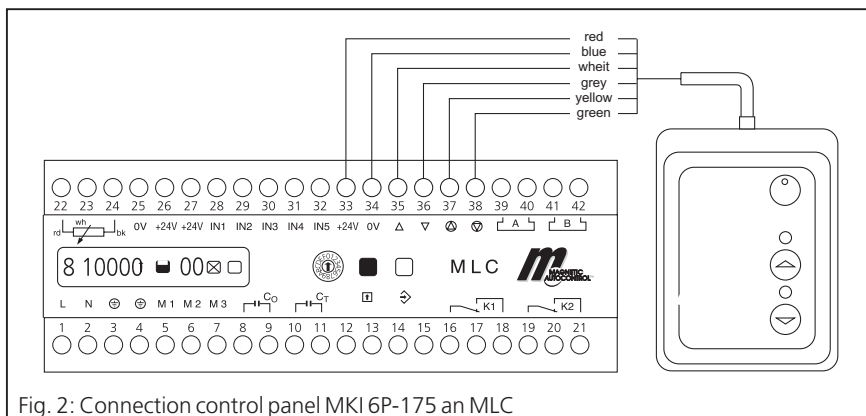


Fig. 2: Connection control panel MKI 6P-175 an MLC